

GENERAL INFORMATION

- When installing this product, the pipes must be flushed clean where the product is being installed.
- The water pressure must be tested. Where the water pressure exceeds 1000Kpa, an approved pressure reducing valve should be fitted.
- Always fit isolating taps to the hot and cold inlet connections in accordance with the Australian national plumbing code AS3500.
- Ensure the hoses are not twisted or stretched, are not under tension and not bent to a radius less than 25mm when being installed.
- If the water temperature exceeds 80°C an approved water tempering valve must be fitted.
- For domestic use only.

Failure to comply with all of the above instructions will void all warranties.

The warranty will not apply if:

- The product has been damaged through misuse, neglect accident;
- The product has not been used in accordance with any applicable instruction guide;
- The purchaser has attempted to modify or repair the product;
- The product is not installed by a licensed and or authorised tradesperson.

INSTALLATION MANUAL TAPWARE

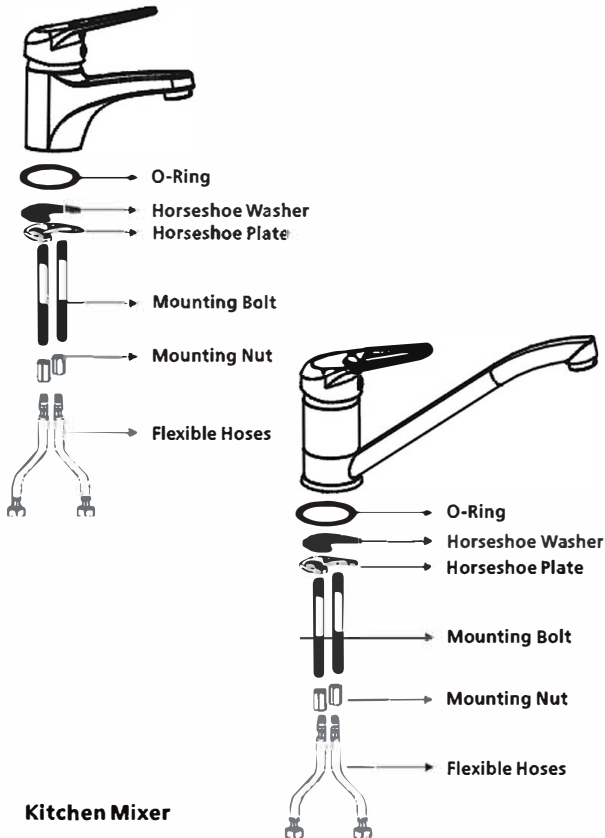
BASIN OR KITCHEN MIXER

INSTALLATION INSTRUCTIONS

1. Place O Ring Washer over the hole where the mixer is to be installed;
2. Position the mixer body over the kitchen hole;
3. Place the horseshoe washer on top of the horseshoe plate and fit it onto the mounting bolt using the mounting nut to tighten up the mixer from the underneath of the basin/kitchen;
4. Install the flexible hoses by hand tightening them into place.

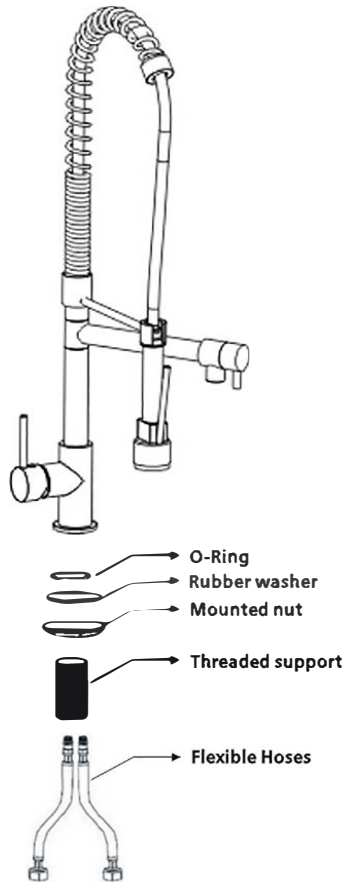
(DO NOT USE A SPANNNER TO TIGHTEN AS IT CAN DAMAGE THE O RING). the flexible hoses are to be fitted into the correct inlets for hot and cold water (Red band for hot and blue band for cold).

It is important to flush out the supply pipes before installing the mixer and connecting the flexible hoses to hot/cold water supply, regardless whether a stop valve and filter has been installed. This procedure will stop foreign objects entering the cartridge.



Kitchen Mixer

SPRING/COIL KITCHEN MIXER



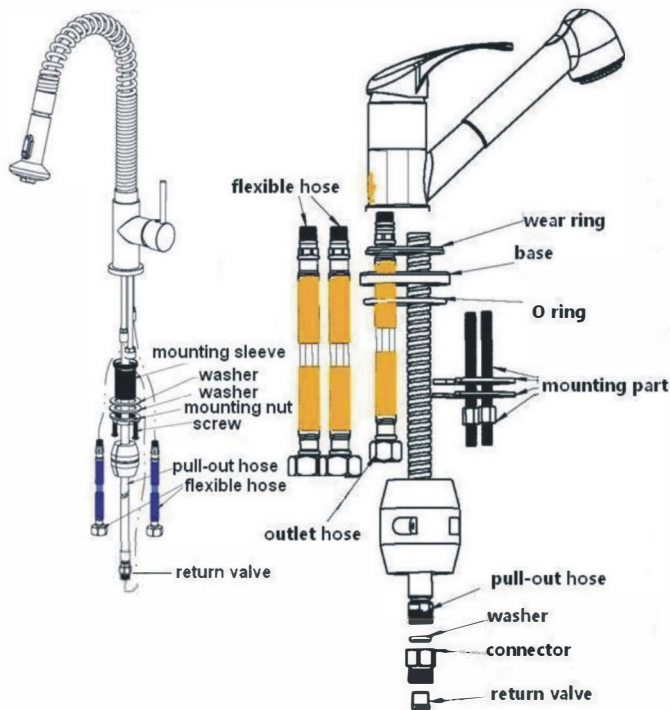
INSTALLATION INSTRUCTIONS

1. Place O Ring Washer over the hole where the mixer is to be installed;
2. Position the mixer body over the kitchen hole;
3. Place the horseshoe washer on top of the horseshoe plate and fit it onto the mounting bolt using the mounting nut to tighten up the mixer from the underneath of the kitchen;
4. Install the flexible hoses by hand tightening them into place.

(DO NOT USE A SPANNER TO TIGHTEN AS IT CAN DAMAGE THE ORING). the flexible hoses are to be fitted into the correct inlets for hot and cold water (Red band for hot and blue band for cold)

It is important to flush out the supply pipes before installing the mixer and connecting the flexible hoses to hot/cold water supply, regardless whether a stop valve and filter has been installed. This procedure will stop foreign objects entering the cartridge.

PULL-OUT KITCHEN MIXER

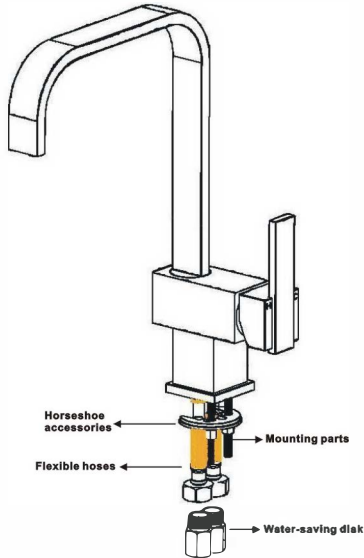


INSTALLATION INSTRUCTIONS

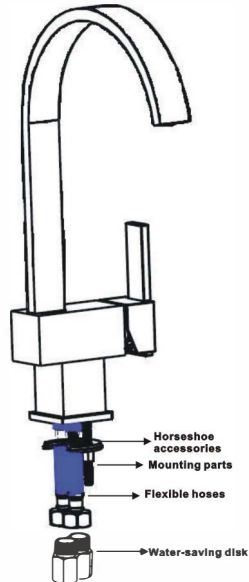
1. Place O Ring Washer over the hole where the mixer is to be installed;
2. Position the mixer body over the kitchen hole;
3. Place the horseshoe washer on top of the horseshoe plate and fit it onto the mounting bolt using the mounting nut to tighten up the mixer from the underneath of the kitchen;
4. Install the flexible hoses by hand tightening them into place.
(DO NOT USE A SPANNNER TO TIGHTEN AS IT CAN DAMAGE THE O RING). the flexible hoses are to be fitted into the correct inlets for hot and cold water (Red band for hot and blue band for cold)
5. Put return valve connector washer in pull-out hose and make them connect to the outlet hose. (Do not use this valve for low or no pressure systems.)

It is important to flush out the supply pipes before installing the mixer and connecting the flexible hoses to hot/cold water supply, regardless whether a stop valve and filter has been installed. This procedure will stop foreign objects entering the cartridge.

KITCHEN MIXER



Kitchen Mixer

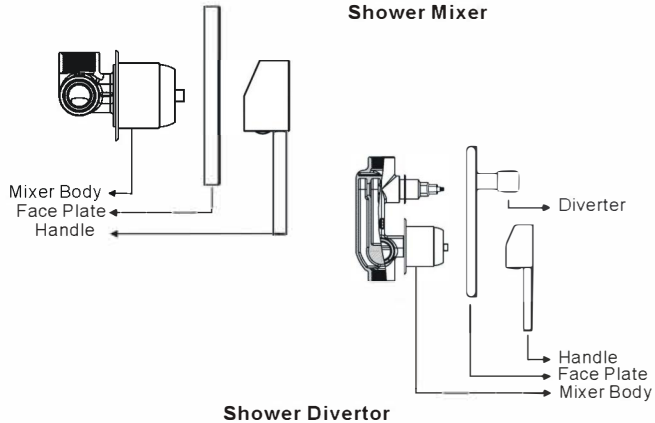


INSTALLATION INSTRUCTIONS

1. Place O Ring Washer over the hole where the mixer is to be installed;
2. Position the mixer body over the kitchen hole;
3. From underneath the kitchen sink, place the rubber washer on the top of the metal plate, facing up, and fit the washer onto the mounting screw using the mounting nut to tighten the screw.
4. Install the flexible hoses now and ensure the flexible hoses are hand tightened into place (DO NOT USE A SPANNER TO TIGHTEN AS IT CAN DAMAGE THE O RING). The flexible hoses are to be fitted into the correct inlets for hot and cold water (Red band for hot and blue band for cold).
5. Install the water-saving disk if applicable.

It is important to flush out the supply pipes before installing the mixer and connecting the flexible hoses regardless whether a stop valve and filter has been installed. This procedure will stop foreign objects entering the cartridge.

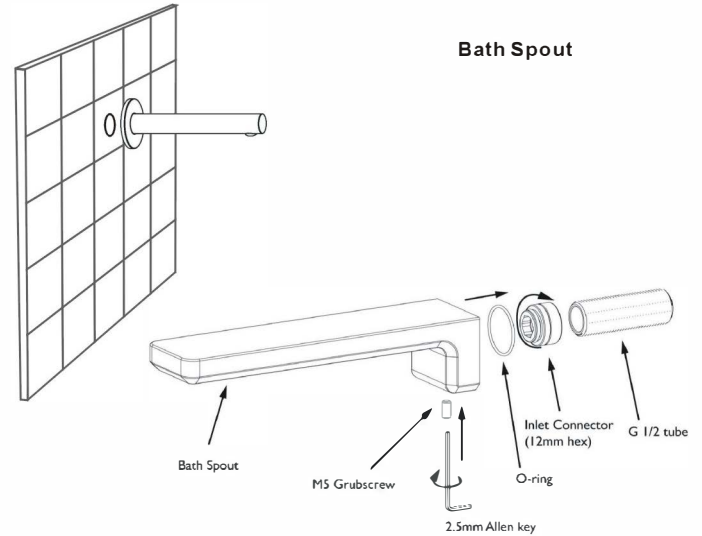
SHOWER MIXER OR DIVERTOR



INSTALLATION INSTRUCTIONS

1. Mount the mixer body into the wall, connect the body with the inlet and outlet pipes;
2. Install the faceplate onto the protective cylinder;
3. Put the fixing washer on the faceplate, install the diverter onto the mixer body and tighten with a spanner.

BATH SPOUT

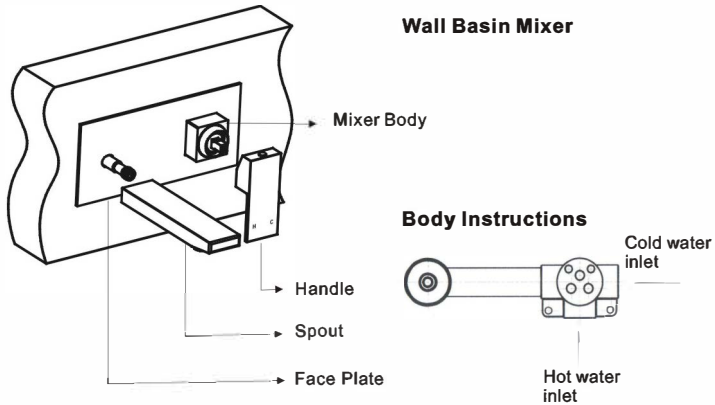


INSTALLATION INSTRUCTIONS

Install the spout into the wall with rotation.

Note: The G1/2 tube is only used for "Female Thread Outlet" in wall and should be cut to size to suit installation.

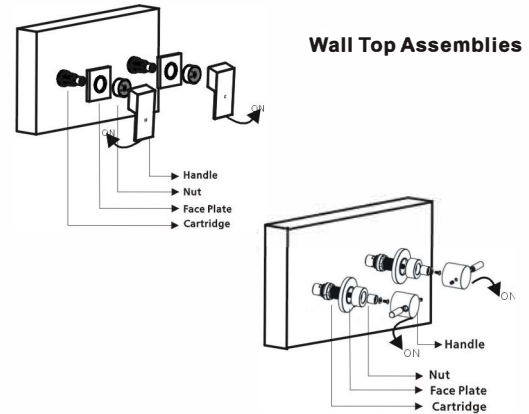
WALL BASIN MIXER



INSTALLATION INSTRUCTIONS

1. Fix the body on the wall and connect the hot and cold hose;
Remark: Install the body as per Body instructions
2. Repair the wall and take care of the surface protection of the mixer;
3. Install the cover plate on the body;
4. Install the handle on the cartridge and fix it up with screw;
5. Install the spout on the outlet and fix it up with screw.

WALL TOP ASSEMBLIES

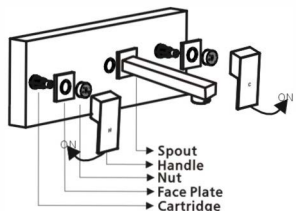


INSTALLATION INSTRUCTIONS

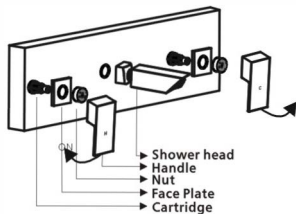
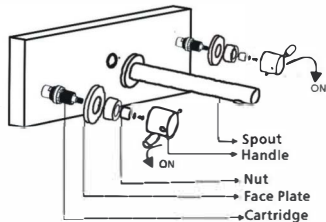
1. Install the cartridge onto the cartridge base which is in the wall and lock torque 10-27Nm;
2. Adjust the length of cartridge, then install the cartridge cover and lock torque 30-50Nm;
3. Install the face plate and nut;
4. Install the handle and lock the screw.

Remark: Turn on-Turn the handle level to horizontal direction
Turn off-Turn the handle level to downward direction

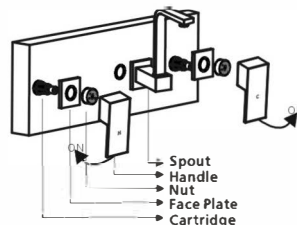
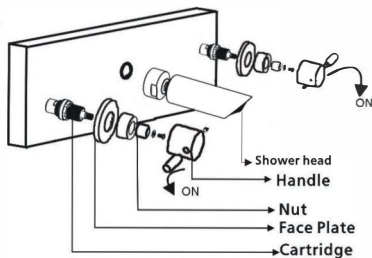
BATH SET
SHOWER SET
WALL SPA/SINK SET



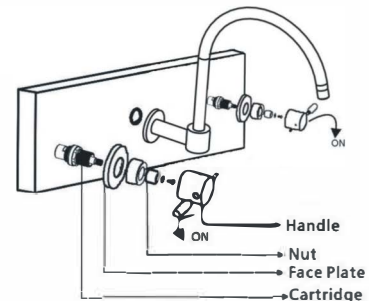
Bath Set



Shower Set



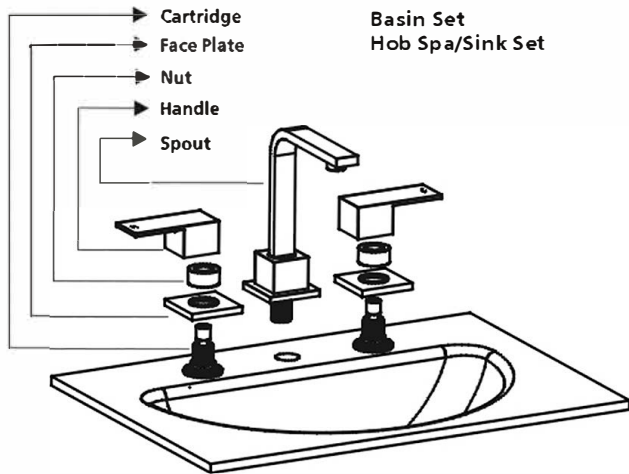
Wall Spa/Sink Set



INSTALLATION INSTRUCTIONS

1. Install the cartridge onto the cartridge base which in the wall and lock torque 10-27Nm;
 2. Adjust the length of cartridge, then install the cartridge cover and lock torque 30-50Nm;
 3. Install the face plate and nut;
 4. Install the handle and lock the screw.
- Remark: Turn on-Turn the handle level to horizontal direction
 Turn off-Turn the handle level to downward direction
5. Install the spout/shower head.

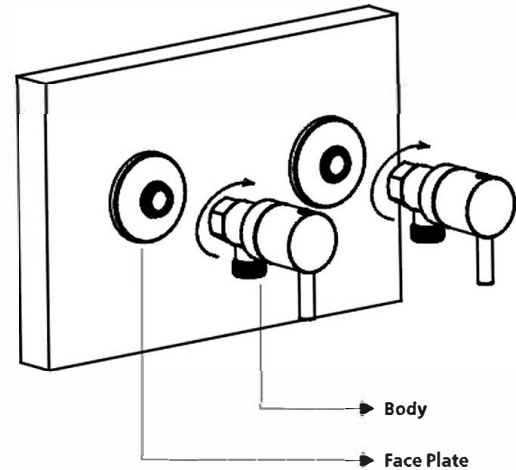
BASIN SET OR HOB SPA/SINK SET



INSTALLATION INSTRUCTIONS

1. Install the body, cartridge and connecting tube with plastic nut and gasket on the basin/Sink;
2. Install the face plate and cover nut;
3. Install the two handles and lock them with screws provided;
4. Install the spout.

WASHING MACHINE STOPS

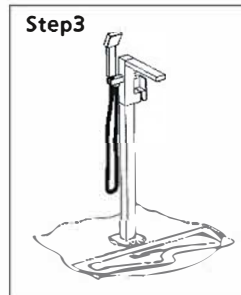
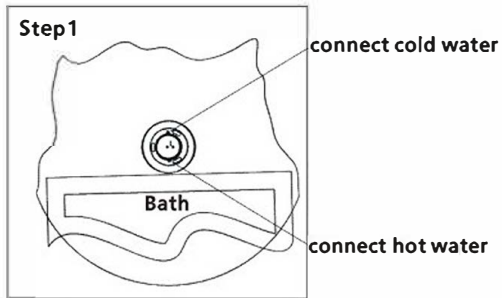


INSTALLATION INSTRUCTIONS

1. Install the cover plate over the wall water outlets
2. Rotate the body to the connection of the water pipe.

FREE STANDING BATH MIXER

Free Standing Bath Mixer



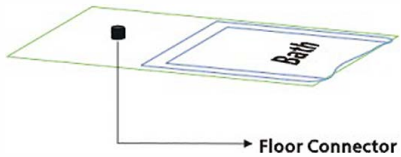
INSTALLATION INSTRUCTIONS

1. Open a hole under the flooring. Place the base into the hole, tighten the base with 4 fixing screws, then connect the hot and cold water sources according to the image shown.
2. Install the tap body on to the base. Tighten the body with 4 fixing screws then open the water source. If there is no water leak visible, please repair the floor and place down the cover plate;
3. Install the shower hose and handle shower on the body.

Remark: If no shower hose and handle shower, step 3 is not needed.

FREE STANDING BATH SPOUT

Free Standing Bath spout



INSTALLATION INSTRUCTIONS

1. Connect the free standing bath spout with the floor connector and ensure that it has been water sealed.
2. Make sure the free standing bath spout is facing the direction to the bath or desired outlet.

